

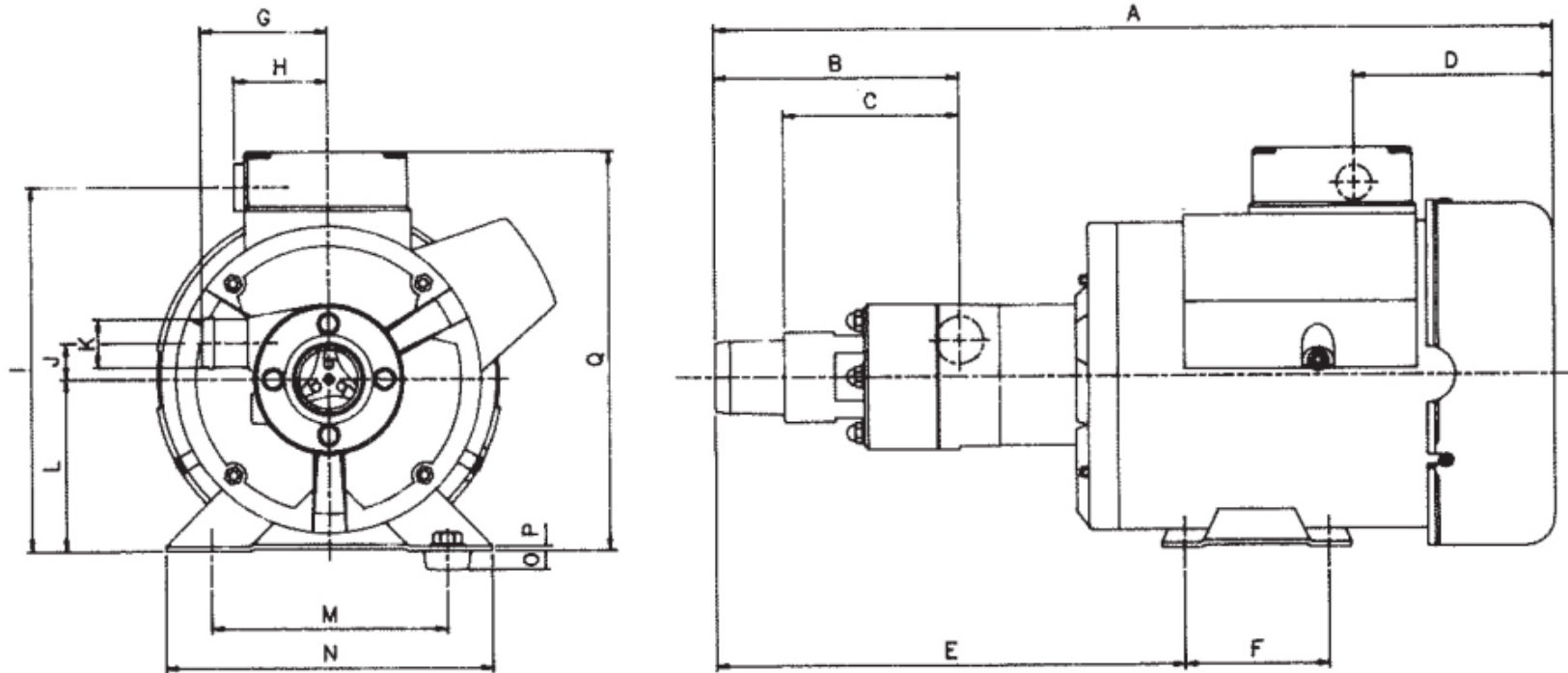


a xylem brand

Marine Macerator Waste Pump (22130 models)

DIMENSIONAL DRAWING Millimetres

DESSIN DIMENSIONNEL Millimètres / MABZEICHNUNG Millimeter / DISEGNO DIMENSIONALE millimetri
 MAATTEKENING Millimeter / DIMENSIONELL RITNING millimeter / DIBUJO DIMENSIONAL milímetros



Model No. 22130-2721

A	B	C	D	E	F	G	H	I	J	K	L	M	N	O	P	Q
308.5	129.6	93	105	247	76	66	48.5	190	19	Ø25.4	89	124	172	10	2.5	206