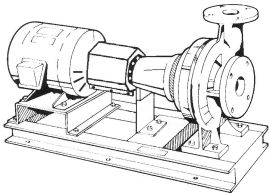


JOB:	REPRESENTATIVE:
UNIT TAG:	ORDER NO.:
ENGINEER:	SUBMITTED BY:
CONTRACTOR:	APPROVED BY:
	DATE:
	DATE:
	DATE:



6-11 Marlow Series e-530SL Centrifugal Pumps - Base Mounted

SPECIFICATIONS

FLOW _____ HEAD _____
 HP _____ RPM _____
 VOLTS _____
 CYCLE _____ PHASE _____
 ENCLOSURE _____
 APPROX. WEIGHT _____
 SPECIALS _____

MATERIALS OF CONSTRUCTION

Stainless Steel Fitted

FEATURES

- ANSI/OSHA Coupling Guard
- Center Drop Out Spacer Coupling
- Fabricated Heavy Duty Baseplate

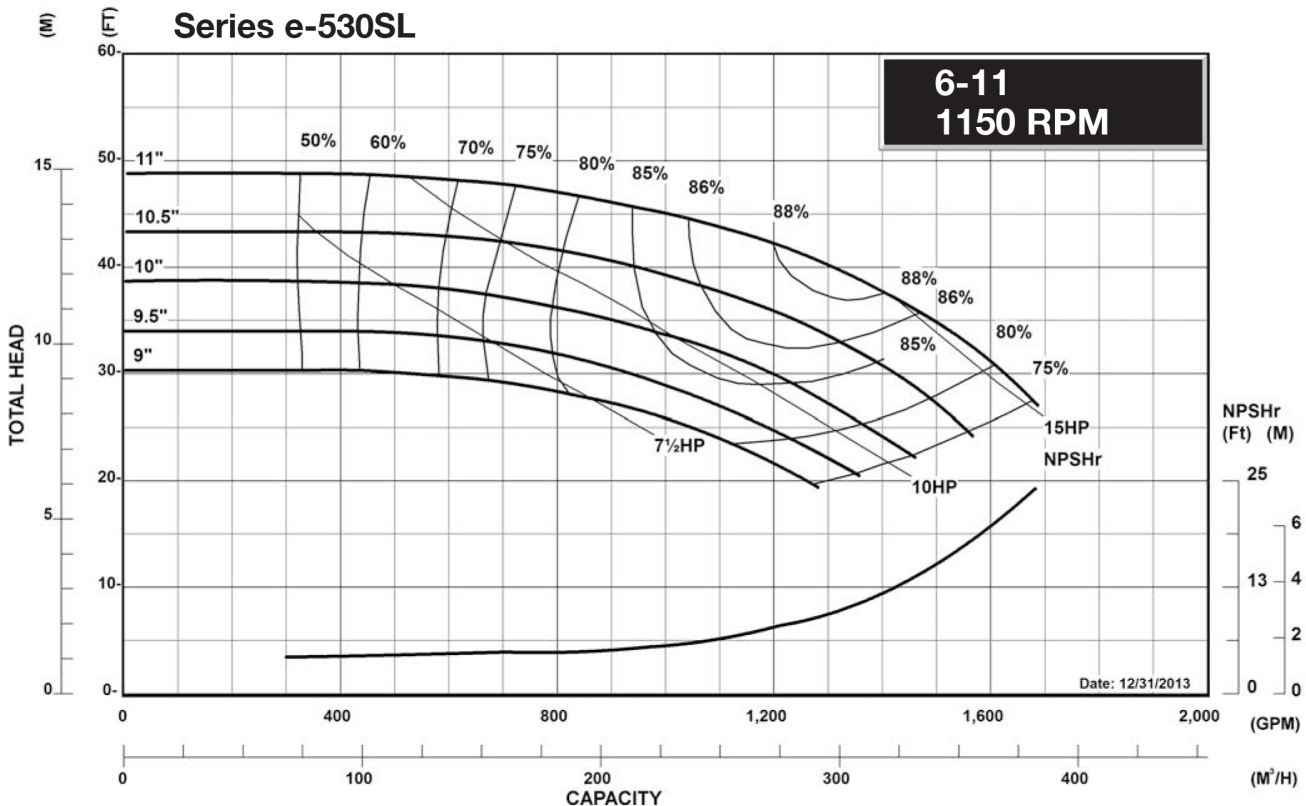
MAXIMUM WORKING PRESSURE

175 psi (12 bar) W.P.
 w/ 125# ANSI flange drilling

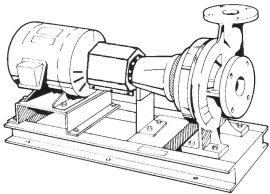
TYPE OF SEAL

- Standard Seal (Buna-Carbon/Ceramic)
- F Standard Seal w/ Flush Line (Buna-Carbon/Ceramic)
- S Stuffing Box Construction w/ Flushed Mechanical Single Seal (EPR-Tungsten Carbide/Carbon)
- PF Stuffing Box Construction w/ Packing (Graphite Impregnated Teflon)

Note: Equipped with NEOPRENE coupling



JOB:	REPRESENTATIVE:
UNIT TAG:	ORDER NO.:
ENGINEER:	SUBMITTED BY:
CONTRACTOR:	APPROVED BY:
	DATE:
	DATE:
	DATE:



6-11

Marlow Series e-530SL

Centrifugal Pumps - Base Mounted

SPECIFICATIONS

FLOW _____ HEAD _____
 HP _____ RPM _____
 VOLTS _____
 CYCLE _____ PHASE _____
 ENCLOSURE _____
 APPROX. WEIGHT _____
 SPECIALS _____

MATERIALS OF CONSTRUCTION

Stainless Steel Fitted

FEATURES

- ANSI/OSHA Coupling Guard
- Center Drop Out Spacer Coupling
- Fabricated Heavy Duty Baseplate

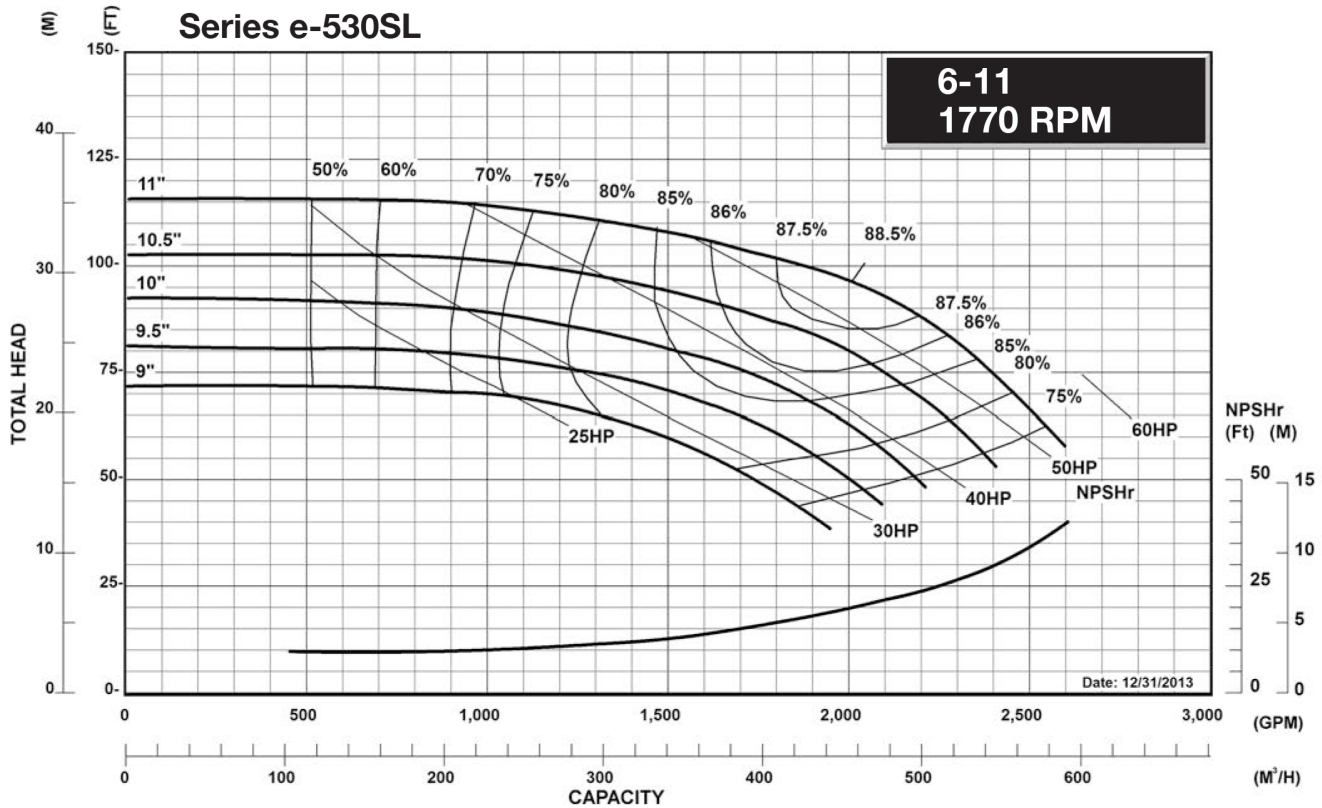
MAXIMUM WORKING PRESSURE

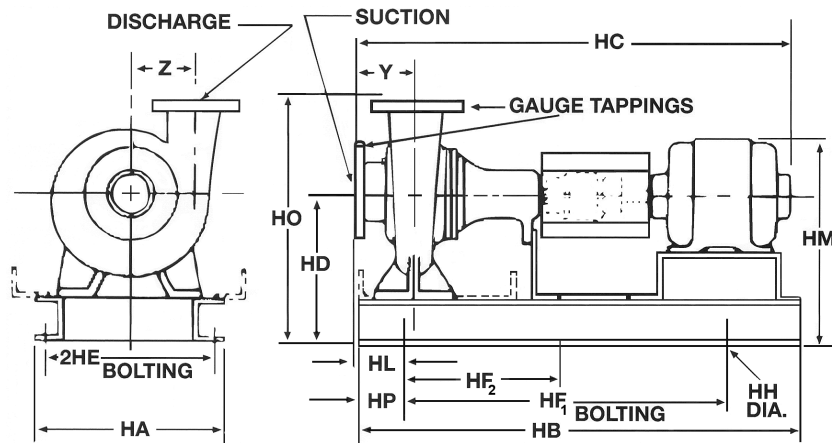
- 175 psi (12 bar) W.P.
w/ 125# ANSI flange drilling

TYPE OF SEAL

- Standard Seal (Buna-Carbon/Ceramic)
- F Standard Seal w/ Flush Line (Buna-Carbon/Ceramic)
- S Stuffing Box Construction w/ Flushed Mechanical Single Seal (EPR-Tungsten Carbide/Carbon)
- PF Stuffing Box Construction w/ Packing (Graphite Impregnated Teflon)

Note: Equipped with NEOPRENE coupling





FLANGE DIMENSIONS IN INCHES (MM)			
	SIZE	THICKNESS	O.D.
Discharge	6" (152)	1-7/16" (37)	12-1/8" (308)
Suction	8" (203)	1-5/8" (41)	14-3/4" (375)

FLANGES ARE 125# ANSI - STANDARD
250# ANSI - AVAILABLE

DIMENSIONS - Inches (mm)

STANDARD SEAL

MOTOR FRAME	HA	HB	HC MAX	HD	2HE	HF ₁	HF ₂	HH	HL	HM MAX	HO	HP	Y	Z
	"L" FRAME													
254T	24 (610)	56 (1422)	47-5/8 (1210)	16-1/2 (419)	21-1/2 (546)	44 (1118)	22 (559)	1 (25)	6 (152)	23-3/8 (594)	27-1/2 (698)	6 (152)	6-1/8 (156)	8-15/32 (215)
256T	24 (610)	56 (1422)	49-3/8 (1254)	16-1/2 (419)	21-1/2 (546)	44 (1118)	22 (559)	1 (25)	6 (152)	23-3/8 (594)	27-1/2 (698)	6 (152)	6-1/8 (156)	8-15/32 (215)
284T	24 (610)	56 (1422)	50-5/16 (1278)	16-1/2 (419)	21-1/2 (546)	44 (1118)	22 (559)	1 (25)	6 (152)	24-1/2 (622)	27-1/2 (698)	6 (152)	6-1/8 (156)	8-15/32 (215)
286T	24 (610)	56 (1422)	51-13/16 (1316)	16-1/2 (419)	21-1/2 (546)	44 (1118)	22 (559)	1 (25)	6 (152)	24-1/2 (622)	27-1/2 (698)	6 (152)	6-1/8 (156)	8-15/32 (215)
324T	24 (610)	56 (1422)	53-7/8 (1368)	16-1/2 (419)	21-1/2 (546)	44 (1118)	22 (559)	1 (25)	6 (152)	25-5/8 (651)	27-1/2 (698)	6 (152)	6-1/8 (156)	8-15/32 (215)
326T	24 (610)	56 (1422)	55-3/8 (1407)	16-1/2 (419)	21-1/2 (546)	44 (1118)	22 (559)	1 (25)	6 (152)	25-5/8 (651)	27-1/2 (698)	6 (152)	6-1/8 (156)	8-15/32 (215)
364T	24 (610)	56 (1422)	57-9/16 (1462)	16-1/2 (419)	21-1/2 (546)	44 (1118)	22 (559)	1 (25)	6 (152)	26-3/4 (679)	27-1/2 (698)	6 (152)	6-1/8 (156)	8-15/32 (215)

STUFFING BOX

MOTOR FRAME	HA	HB	HC MAX	HD	2HE	HF ₁	HF ₂	HH	HL	HM MAX	HO	HP	Y	Z
	"L" FRAME													
254T	24 (610)	56 (1422)	50 (1270)	16-1/2 (419)	21-1/2 (546)	44 (1118)	22 (559)	1 (25)	6 (152)	23-3/8 (594)	27-1/2 (698)	6 (152)	6-1/8 (155)	8-15/32 (215)
256T	24 (610)	56 (1422)	51-3/4 (1314)	16-1/2 (419)	21-1/2 (546)	44 (1118)	22 (559)	1 (25)	6 (152)	23-3/8 (594)	27-1/2 (698)	6 (152)	6-1/8 (155)	8-15/32 (215)
284T	24 (610)	56 (1422)	52-11/16 (1338)	16-1/2 (419)	21-1/2 (546)	44 (1118)	22 (559)	1 (25)	6 (152)	24-1/2 (622)	27-1/2 (698)	6 (152)	6-1/8 (155)	8-15/32 (215)
286T	24 (610)	56 (1422)	54-3/16 (1376)	16-1/2 (419)	21-1/2 (546)	44 (1118)	22 (559)	1 (25)	6 (152)	24-1/2 (622)	27-1/2 (698)	6 (152)	6-1/8 (155)	8-15/32 (215)
324T	24 (610)	56 (1422)	56-1/4 (1429)	16-1/2 (419)	21-1/2 (546)	44 (1118)	22 (559)	1 (25)	6 (152)	25-5/8 (651)	27-1/2 (698)	6 (152)	6-1/8 (155)	8-15/32 (215)
326T	24 (610)	56 (1422)	57-3/4 (1467)	16-1/2 (419)	21-1/2 (546)	44 (1118)	22 (559)	1 (25)	6 (152)	25-5/8 (651)	27-1/2 (698)	6 (152)	6-1/8 (155)	8-15/32 (215)
364T	24 (610)	56 (1422)	59-15/16 (1522)	16-1/2 (419)	21-1/2 (546)	44 (1118)	22 (559)	1 (25)	6 (152)	26-3/4 (679)	27-1/2 (698)	6 (152)	6-1/8 (155)	8-15/32 (215)

Dimensions are subject to change. Not to be used for construction purposes unless certified.

Xylem Inc.
8200 N. Austin Avenue
Morton Grove, IL 60053
Phone: (847)966-3700
Fax: (847)965-8379
www.gouldswatertechnology.com

