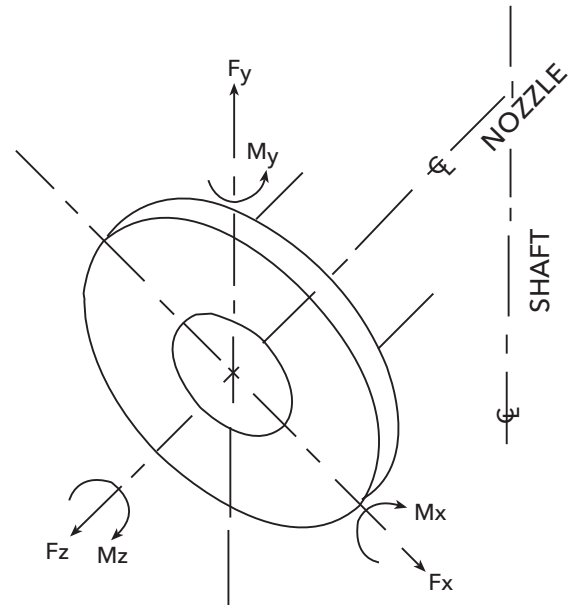


# Fabricated Heads

## 200.C.07A *(Effective June 1, 2006)*



### Standard Allowable Flange Forces and Moments for Vertical Turbine Pumps Commercial Design Only

Flange Size	$F_x$ and $F_y$ (lbs.)	$F_z$ (lbs.)	$M_x$ and $M_y$ (ft. - lbs.)	$M_z$ (ft. - lbs.)
3	155	310	390	780
4	210	420	530	1060
6	340	680	850	1700
8	570	1140	1425	2850
10	700	1400	1750	3500
12	750	1500	1875	3750
14	800	1600	2000	4000
16	850	1700	2125	4250
18	900	1800	2250	4500
20	937	1875	2345	4687
24	1050	2100	2625	5250

Consult factory when flange requirement is greater, for ratings on all AP1610 and non-commercial heads; and for cast iron heads.

VIT - Discharge heads 3 inches through 24 inches with 150 lb. flanges.

VIT - Discharge heads 3 inches through 12 inches with 300 lb. flanges.

VIC - Discharge heads 3 inches through 24 inches with 150 lb. flanges.

VIC - Discharge heads 3 inches through 8 inches with 300 lb. flanges and 150 lb. suction flanges only.

---

**Xylem Inc.**

[www.xylem.com/brands/gouldswatertechnology](http://www.xylem.com/brands/gouldswatertechnology)

Goulds is a registered trademark of Goulds Pumps, Inc. and is used under license.

© 2012 Xylem Inc. D200C07A January 2009

