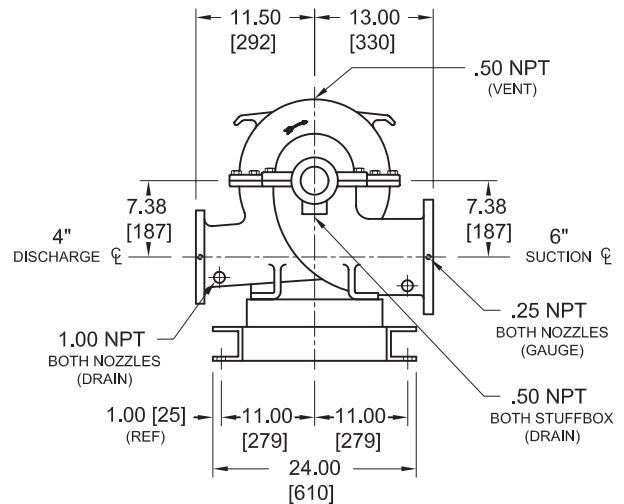
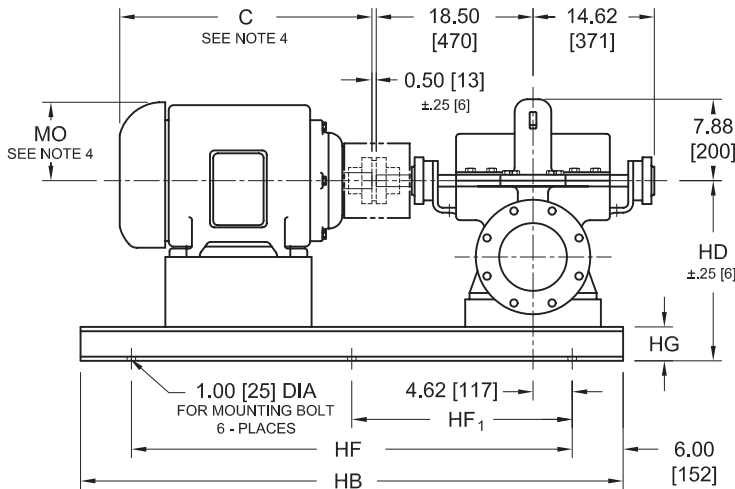


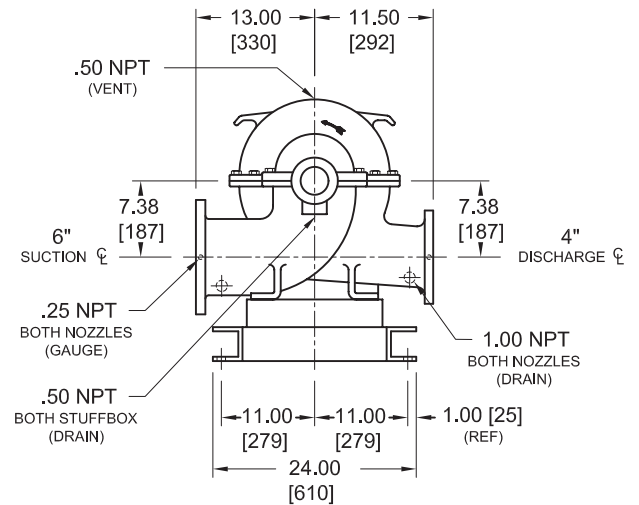
Supersedes all previous issues

## (H)6x4x11F – 8100 SERIES



MOTOR FRAME	C	MO	HB	HF	HF <sub>1</sub>	HD	HG
364	30.00 [762]	9.20 [234]	64.00 [1626]	52.00 [1321]	26.00 [661]	18.25 [464]	4.00 [102]
365	31.00 [788]	10.40 [265]					
404	36.40 [925]	11.80 [300]	76.00 [1931]	64.00 [1626]	32.00 [813]	20.25 [515]	6.00 [153]
405	37.90 [963]	11.94 [303]					
444	42.20 [1072]	11.80 [300]	76.00 [1931]	64.00 [1626]	32.00 [813]	20.25 [515]	6.00 [153]
445	44.20 [1123]	11.94 [303]					
447	48.38 [1229]	11.94 [303]	76.00 [1931]	64.00 [1626]	32.00 [813]	20.25 [515]	6.00 [153]
449	53.38 [1356]	11.94 [303]					

CW ROTATION VIEWED FROM COUPLING END



CCW ROTATION VIEWED FROM COUPLING END

**NOTES:**

- ALL DIMENSIONS ARE INCHES [mm].
- SUCTION AND DISCHARGE CONNECTIONS ARE DRILLED PER 125# ANSI B16.1. PUMPS WITH "H" PREFIX HAVE DISCHARGE CONNECTION DRILLED PER 250# ANSI B16.1. FLANGE HOLES STRADDLE CENTERLINE.
- BASE PLATE SETTING (BEFORE PIPING), GROUTING PROCEDURES, AND FINAL ALIGNMENT MUST BE IN ACCORDANCE WITH A-C FIRE PUMPS SYSTEMS RECOMMENDED PROCEDURES OUTLINED IN THE INSTRUCTION MANUAL ASSOCIATED WITH THIS PUMP TYPE.
- MOTOR DIMENSIONS ARE APPROXIMATE FOR A GIVEN NEMA FRAME. CONSULT FACTORY IF SPACE IS LIMITED.
- BOTH SUCTION AND DISCHARGE PIPES MUST BE SUPPORTED INDEPENDENTLY NEAR THE PUMP TO REDUCE STRAIN ON THE PUMP CASING. ALSO EXPANSION JOINTS, IF USED, MUST NOT EXERT FORCE ON CASING.
- COUPLING GUARD MEETS ANSI/OSHA REQUIREMENTS.
- CONSULT FACTORY FOR BASE MOUNTED CONTROLLER.

NOT FOR CONSTRUCTION, INSTALLATION OR APPLICATION PURPOSES UNLESS CERTIFIED									
CERTIFIED FOR:							APPROVAL		
							UL	FM	ULC
							<input type="checkbox"/>	<input type="checkbox"/>	<input type="checkbox"/>
CUSTOMER ORDER NO.:			TAG NO.			FLANGES			
PUMP DATA	SIZE	MODEL	CURVE NO.	GPM	HEAD	ROTATION	SUCTION	DISCH.	
MOTOR DATA	HP	RPM	VOLTS	PHASE	HERTZ	FRAME SIZE	ENCLOSURE		
SHOP ORDER:			CERTIFIED BY:			DATE:			