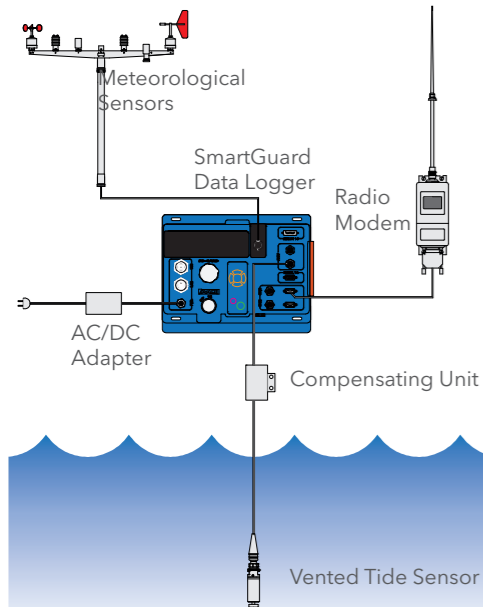
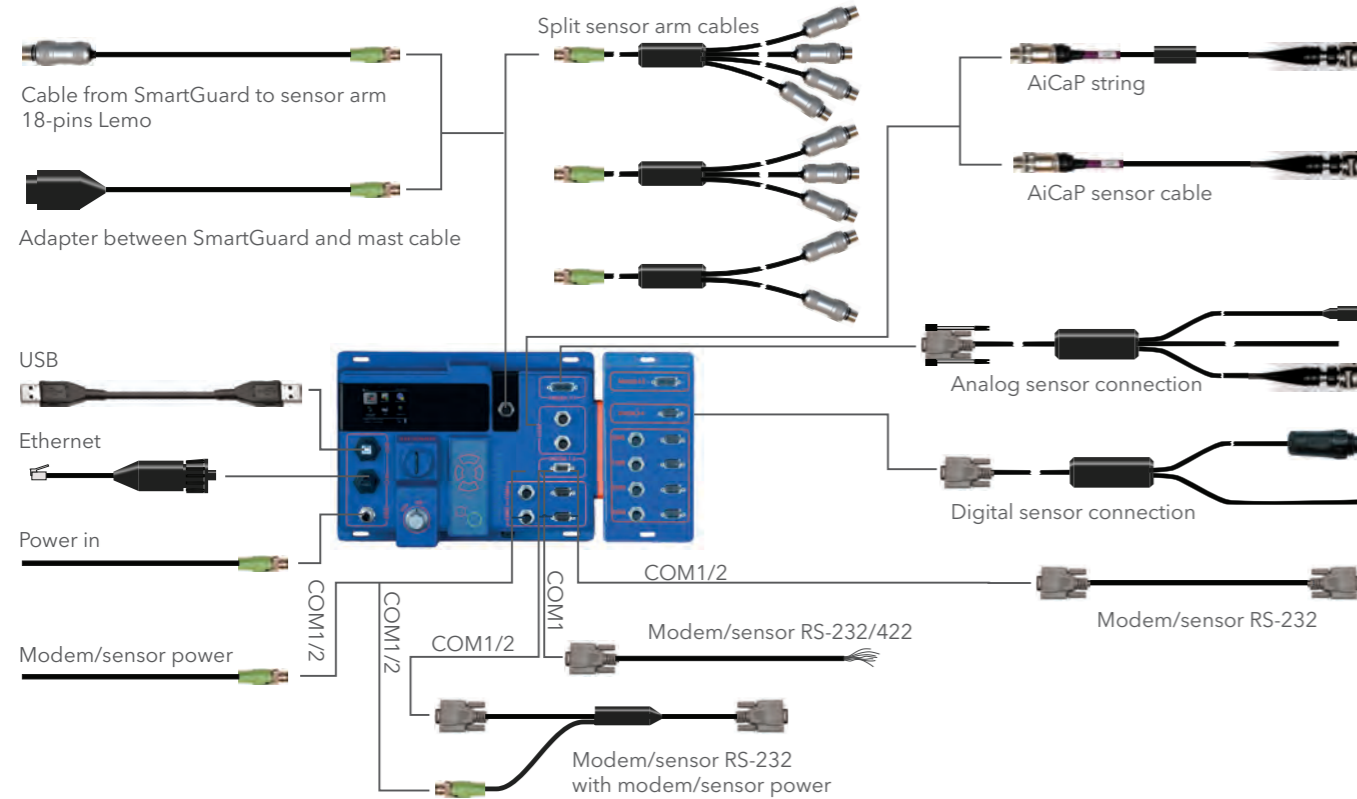


SmartGuard Cables and Connections



We deliver standard SmartGuard cables and connectors and can also deliver special cables for your application. As the SmartGuard data logger is made to gather data from all sensors we understand the need for custom cables and connectors.

On the left, a typical small system using SmartGuard as a data logger. The system can be expanded using sensors shown on pages 2 and 3.

xylem
Let's Solve Water

Visit our Web site for the latest version of this document and more information
www.aanderaa.com

Aanderaa is a trademark of Xylem Inc. or one of its subsidiaries.
© 2012 Xylem, Inc. B189 January 2013

Aanderaa Data Instruments AS
Sanddalsringen 5b, P.O. Box 103 Midtun,
5828 Bergen, Norway
Tel +47 55 60 48 00
Fax +47 55 60 48 01



SMARTGUARD

UNIVERSAL DATA LOGGER FOR HYD/MET SENSORS

SMARTGUARD allows you to:

- Tailor a monitoring system with hyd/met sensors in any environment
- Easily check configuration and receive data on the onboard color screen
- Advanced set-up and data processing on laptop using Real Time Collector software
- Receive data and configure your system in real time through serial, LAN or USB connection
- XML, NMEA and GOES formats available

Low power consumption enables your monitoring system to operate for long-term in tough environments and in remote areas without attention.

AANDERAA

a xylem brand

B189 - Jan 2013



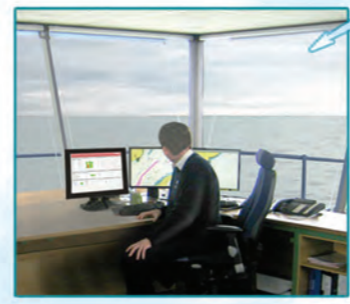
Aanderaa Atmospheric Sensors SR 10



Atmospheric Sensors RS-232



Gill Ultrasonic Wind and Vaisala Precipitation Sensor



Aanderaa Real-Time Collector display and remote control software via two-way communication



Aanderaa Geoview

Aanderaa Weather Station via radio

AIS message 8

Aanderaa Data Buoy



Talk to SmartGuard in 3 ways - LAN, Serial Port or USB

SmartGuard Extension



Aanderaa SEAGUARD® String

Aanderaa SEAGUARD® Current Meter



Sontek Argonaut-SL500



YSI EXO 1



Aanderaa Smart Sensors



AMT (pH)

Sea-Bird (CTD)

Chlorophyll (Cyclops, Turner Design)



Aanderaa SmartSub Observatory



Aanderaa Doppler Profiler RDCP